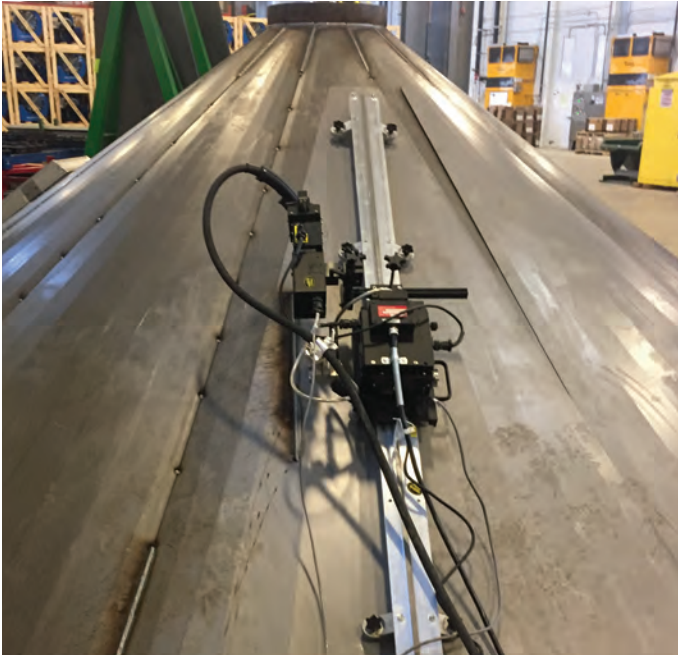




# Rails and Attachments

MADE IN U.S.A.

## Custom Configurations From Standard Components



Aluminum Rigid Rail (ARR) for all position straight line applications (Page 2)



Bent Rigid Rail (BRR) & Ring Rails for circumferential applications (Page 4-5)



Aluminum Semi-Flex Rail (AFR) for large diameter applications down to a minimum radius of 15' (5 m) (Page 2)



Hi-Flex Rail (FMD) for various circumferential and irregular surface applications down to 30" (760 mm) radius (Page 2)

Bug-O Systems offers rail for a variety of applications. Each type of rail requires a corresponding carriage and magnets or vacuum cups. Bug-O rail is lightweight and portable. When attached to the work with magnets or vacuum cups the rail can be used in any plane or position. The rail is pre-drilled for easy installation on a fixture. Choose the appropriate rail and attachments for your application.

Bug-O Systems is committed to empowering our customers by providing operator controlled mechanized solutions for their welding, cutting and custom applications.



# BUG-O SYSTEMS

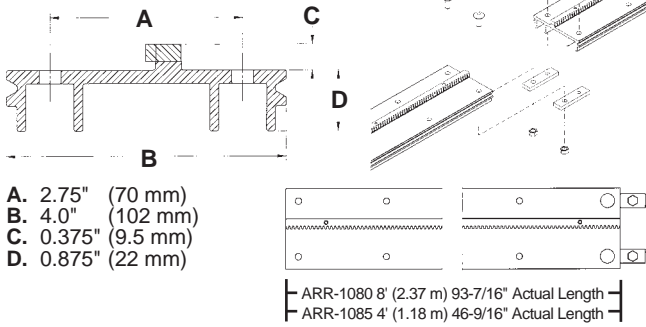
A DIVISION OF WELD TOOLING CORPORATION



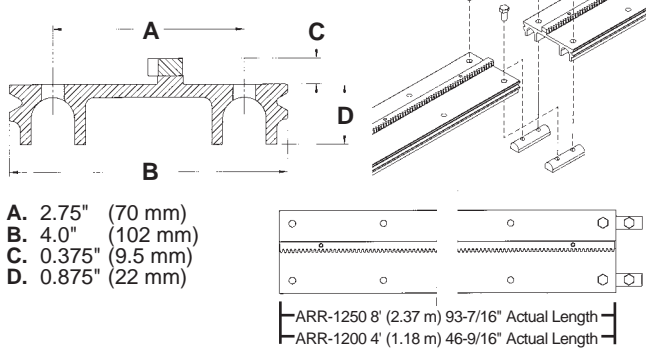
280 TECHNOLOGY DRIVE CANONSBURG, PENNSYLVANIA 15317-9564 USA  
PHONE: 412-331-1776 <https://www.bugo.com> [sales@bugo.com](mailto:sales@bugo.com)

## Aluminum Rigid Rails (ARR)

### Heavy Duty Rigid Rail ARR-1080 & ARR-1085\*



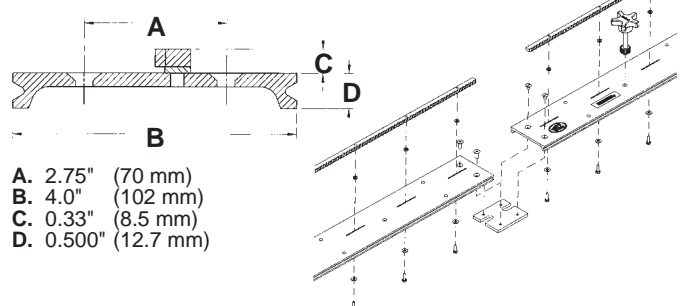
### Extra Heavy Duty Rigid Rail ARR-1250 & ARR-1200\*



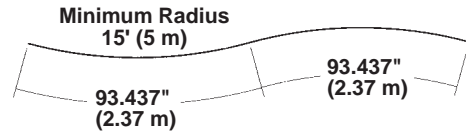
\*Hard coat rail is available upon request.

## Semi-Flex Rail (AFR)

**SEMI-FLEX RAIL AFR-3000** can be flexed inside or outside to a minimum radius of 15' (5.0 m) or 30' (10.0 m) diameter without permanent deformation.



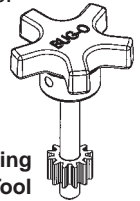
**CAUTION:** Flexing beyond the recommended 15'-0" (5.0 m) radius may put a permanent bend in the rail and break off some of the rack screws.



A splice plate is mounted at one end of each AFR-3000 Semi-Flex Rail, for joining to additional rail sections. A rack-adjusting tool is supplied with every two (2) rails for moving the rack on the rail.

#### NOTE:

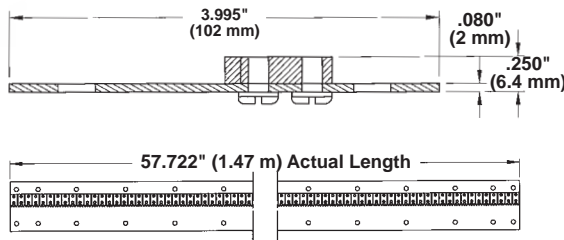
Use at least four (4) attachments (magnets or vacuum cups) on each **SEMI-FLEX RAIL**. **Eight (8) are recommended.**



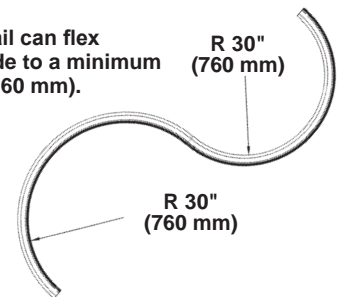
## Hi-Flex Rail (FMD)

The FMD Hi-Flex Rail can flex from a straight to a 30" (760 mm) radius inside or outside. The rail is made from a tempered, wear resistant, stainless steel with a steel rack. It is designed for use with the FMD Hi-Flex Carriage. The rail comes in 57.7" (1.47 m) lengths and can be held in place with magnets or vacuum cups. An optional stiffener can be installed behind the rail for heavy duty, straight line applications.

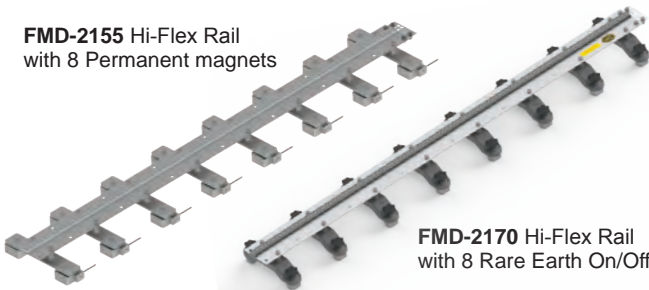
### FMD-1050 Hi-Flex Rail Without Magnet Assemblies



FMD Hi-Flex Rail can flex inside or outside to a minimum radius of 30" (760 mm).



### FMD-2155 Hi-Flex Rail with 8 Permanent magnets



### FMD-2170 Hi-Flex Rail with 8 Rare Earth On/Off magnets

### FMD-1056 Hi-Flex Rail Stiffener Converts Hi-Flex Rail To Rigid Rail



# Magnets, Rail Alignment Tools and Vacuum Accessories

A Minimum of six (6) magnets or vacuums cups are required per rail for all out of position applications. Eight (8) are recommended.

## For Aluminum Rigid Rail

R.E. On/Off Magnet  
ARM-2010  
ARM-2010-HH2\*  
Holding Power  
250 lb. (113 kg)



Spacer  
ARM-2015  
Use with  
ARM-2010 only



Swivel Magnet w/ Release  
ARM-2325  
Holding Power  
250 lbs. (113 kg)



Rail Alignment Tool  
ARR-1090  
Gauging device for rapid  
alignment of rails to joint

Fixed Magnet w/ Release  
ARM-2265  
Holding Power  
200 lbs. (91 kg)



R.E. On/Off  
Pivot Magnet  
ARM-2020  
Holding Power  
150 lbs. (68 kg)



Magnet Plate, Short  
ARM-2248  
Holding Power  
200 lbs. (91 kg)



## For Semi-Flex Rail

R.E. On/Off Magnet  
AFR-2010  
AFR-2010-HH2\*  
Holding Power  
250 lb. (113 kg)



Rail Alignment Tool  
AFR-1090  
Gauging device for rapid  
alignment of rails to joint

Fixed Magnet w/ Release  
ARM-2465  
Holding Power  
200 lbs. (91 kg)



Swivel Magnet w/ Release  
ARM-2425  
Holding Power  
250 lbs. (113 kg)



Spacer Bar  
FMD-2015  
Use with  
FMD-2010 only

## For Hi-Flex Rail

R.E. On/Off Magnet, Hi-Flex  
FMD-2010  
FMD-2010-HH2\*  
Holding Power  
250 lb. (113 kg)



Rail Alignment Tool  
FMD-1020  
Gauging device for rapid  
alignment of rails to joint

Hi-Flex Magnet w/ Release  
FMD-2325  
Holding Power  
250 lbs. (113 kg)



Swivel Magnet w/ Release  
FMD-2425  
Holding Power  
250 lbs. (113 kg)



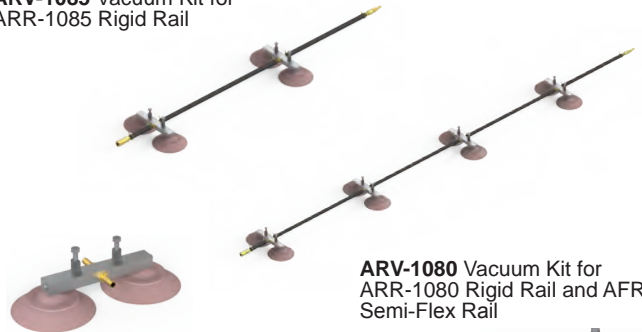
\*All XXX-2010-HH2 are "High Heat" models and are rated at 180°C (356°F) for high temperature applications.



## Vacuum Systems for Non-Ferrous Metals Where Magnets Will Not Hold

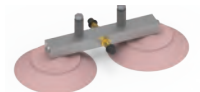
- Keep flame or arc at least 4" (100 mm) away from vacuum cups
- Vacuum systems can be used on material to 600° F (318° C)
- Vacuum kits require a source of vacuum which is provided by a Vacuum Pump Kit
- Custom systems are required for Bent Rail

ARV-1085 Vacuum Kit for  
ARR-1085 Rigid Rail

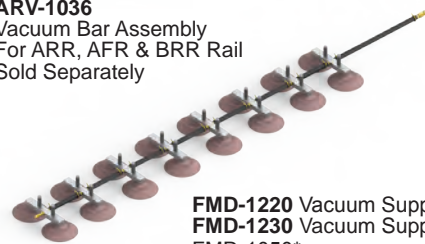


ARV-1080 Vacuum Kit for  
ARR-1080 Rigid Rail and AFR-3000  
Semi-Flex Rail

ARV-1036  
Vacuum Bar Assembly  
For ARR, AFR & BRR Rail  
Sold Separately



FMD-1036  
Vac. Support Bar  
For Hi-Flex Rail  
Sold Separately



FMD-1220 Vacuum Support for (1) FMD-1050\*  
FMD-1230 Vacuum Support for additional  
FMD-1050\*

\*Rails sold separately.



ARV-2020 120 Volt/50-60 Hz  
ARV-2030 240 Volt/50-60 Hz  
The Vacuum Pump Kit is  
recommended for use with a  
maximum of four (4) pieces of rail,  
or sixteen (16) vacuum bars.

100-1297-120 120 Volt/50-60 Hz  
100-1297-240 240 Volt/50-60 Hz  
This Vacuum Pump Kit has the  
addition of a vacuum tank and  
switch allowing for higher volume  
of instantaneous vacuum. The  
operating temperature of the pump  
is reduced, therefore, prolonging the  
life of the vacuum pump.



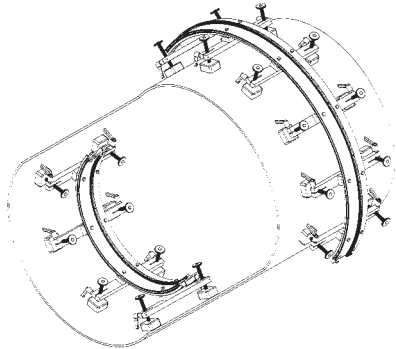
ARV-1060 Leap Frog Kit  
Used to reposition rails without losing vacuum

## Bent Rigid Rail (BRR)

BRR rail is used for circumferential applications. The rail can be ordered either as a complete ring or as individual sections.

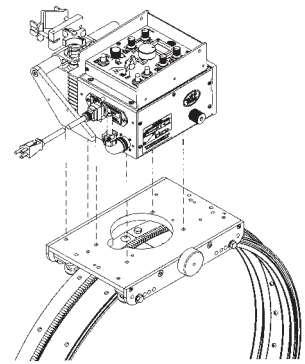
When ordering, specify inside or outside work diameter, method of mounting (magnets, vacuum cups or bolts) and if a complete circle is required.

The mounting method will be taken into consideration to determine actual rail radius. On large work diameters individual sections of rail can "Leapfrog" around the vessel. Use at least four (4) magnets or vacuum cups on each piece of **BRR-1180**.

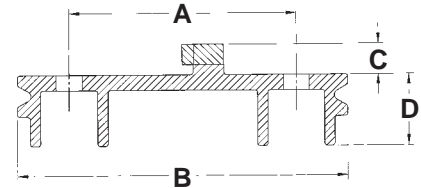


Individual sections of Bent Rigid Rail - BRR-1180

Pieces of Rail Needed to Form Complete Ring	Maximum Outside Diameter of Workpiece	Maximum Inside Diameter of Workpiece
2	3'-11" (1.20 m)	4'-5" (1.35 m)
3	6'-1" (1.85 m)	6'-7" (2.00 m)
4	8'-2" (2.49 m)	8'-8" (2.64 m)
5	10'-2" (3.10 m)	10'-8" (3.25 m)
6	12'-5" (3.79 m)	12'-11" (3.94 m)
8	16'-8" (5.08 m)	17'-2" (5.23 m)
10	20'-11" (6.08 m)	21'-5" (6.23 m)

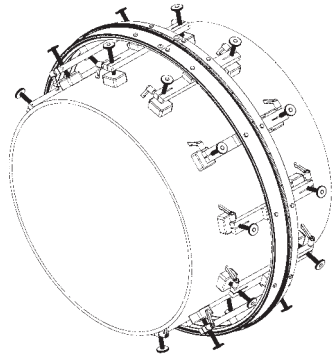


Bent Rigid Rail BRR-1180



A. 2.75" (70 mm) C. 0.375" (9.5 mm)  
B. 4.0" (102 mm) D. 0.875" (22 mm)

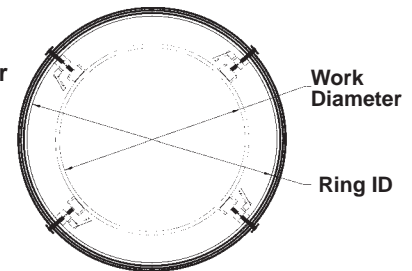
## Complete Ring Rail Assemblies



### Ring Rails and Tube Size Ranges

Part Number	Work Diameters		Ring Inside Diameter	
	Inches	MM	Inches	MM
(1) BRR-1210-20	9-16	230-400	20	500
(2) BRR-1210-27	16-23	410-580	27	680
(3) BRR-1210-34	23-30	590-760	34	860
(4) BRR-1210-41	30-37	770-940	41	1040
(5) BRR-1210-48	37-44	950-1120	48	1220

\* Ring Rails do not include attachments



## Magnets, Rail Alignment Tools and Vacuum Accessories

### Support Bars for BRR

A minimum of three (3) magnet plate or screw feet assemblies are required for each ring rail section.



Support Bar w/ Screw Feet  
ARM-2380

4.5" (114.3 mm) of adjustment

Support Bar w/ Magnets  
ARM-2480

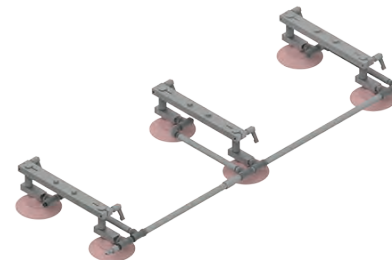
3.5" (88.9 mm) of adjustment

Support Bar w/ R.E. On/Off Magnets  
ARM-2580

3.5" (88.9 mm) of adjustment

### Vacuum Supports for BRR

For BRR-1210-XX Ring Rail Assembly Vacuum Supports may be used instead of magnets to mount the Ring Rail on non-magnetic workpieces. Each Vacuum Support System requires a Vacuum Pump Kit for operation. Custom support systems are available.



ARV-1240-20	20" (500 mm) Dia.	Vacuum Support System
ARV-1240-27	27" (680 mm) Dia.	Vacuum Support System
ARV-1240-34	34" (860 mm) Dia.	Vacuum Support System
ARV-1240-41	41" (1040 mm) Dia.	Vacuum Support System
ARV-1240-48	48" (1220 mm) Dia.	Vacuum Support System

# Rapid Installation Rail

Bug-O Piper Steel Rail (PSR) & Bent Rigid Rail (BRR) are made to order, to fit specific diameters. They are designed for rapid installation and movement between weld locations. To insure proper fit, confirm exact work piece outside diameter when ordering.



## Features:

- Quick attach ring rail mounts quickly and easily to the pipe
- Spacer bars adjust and center the ring to the pipe surface
- Powerful latches lock the rail into position
- Machine mounts quickly to the rail using standoffs and a split carriage
- For pipes with a minimum outside diameter of 16" (45.72 cm) or larger

## Benefits:

- Fast setup
- Fast removal
- Lightweight and easy to move from pipe to pipe
- Large surface area on spacer bars reduces marking of the pipe surface

### PSR-2000-XX (Piper Steel Rail)

Flexible stainless steel 6" (152.4 mm) in width designed for specific pipe outside diameters. It is equipped with rigidly adjustable feet and latch assembly.



### BRR-3250-XX (Bent Rigid Rail)

Aluminum extrusion rolled to custom dimensions for specific pipe outside diameters. Utilizes hinge and locking clamps with spring loaded stand offs for quick removal and relocation.

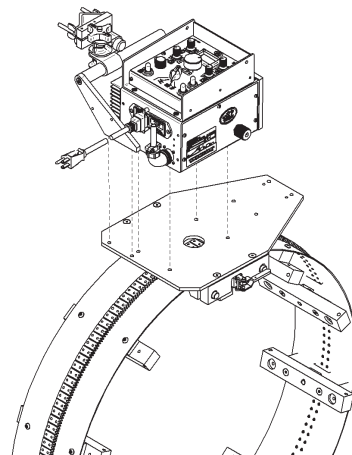


For Universal Bug-O-Matic, MDS, Piper-Bug & Piper-Plus

(XX= Diameter specified by customer including coating if applicable)



**PSR-2000-XX** Piper Steel Rail  
Easily Installed on the workpiece  
for quick installation and removal

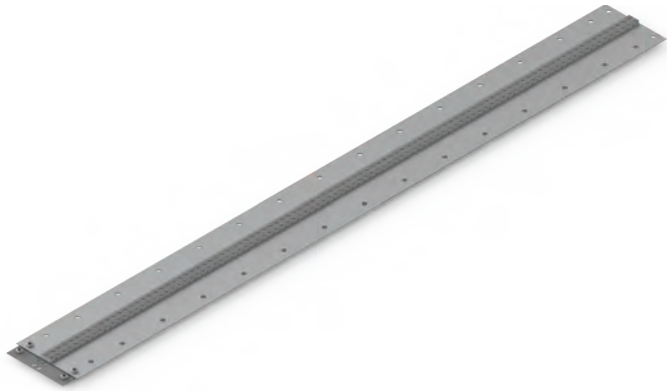


**PSR-1050** carriage shown on **PSR** rail for  
use with MDS and/or Universal Bug-O-Matic



**BRR-3250-XX** Bent Rigid Rail  
Easily Installed on the workpiece  
for quick installation and removal

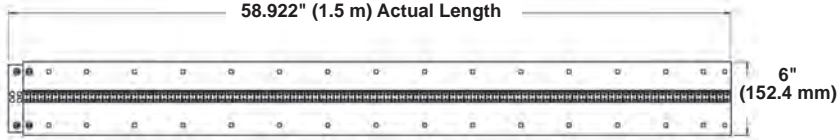
# PSR Flex Rail



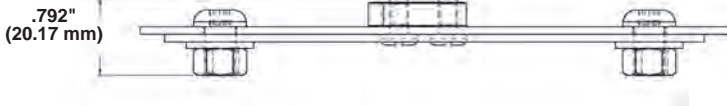
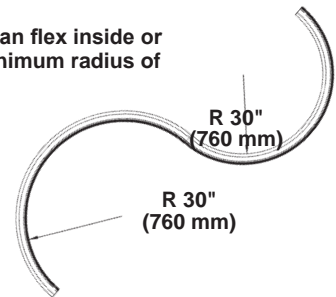
The PSR Flex Rail can flex from a straight to a 30" (760 mm) radius inside or outside. The rail is made from a tempered, wear resistant, stainless steel with a steel rack. It is designed for use with the PSR II Carriage. The rail comes in 5' (1.5 m) lengths and can be held in place with magnets or vacuum cups. An optional stiffener can be installed behind the rail for heavy duty, straight line applications.

**PSR-2200**  
Minimum Workpiece Diameter 12" (304.8 mm)

58.922" (1.5 m) Actual Length



PSR Flex Rail can flex inside or outside to a minimum radius of 30" (760 mm).



**PSR-2210**  
Piper Flex Magnet

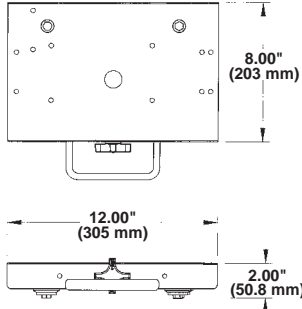


# Carriages

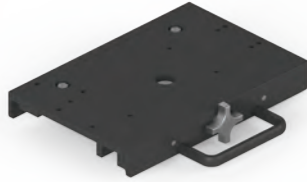
BUG-O carriages maximum load capacity is based on the number of carriage wheels.  
A carriage is capable of holding 25 lbs. per wheel.

## For Aluminum Rigid Rail

### For Modular Drive And Universal Bug-O-Matic

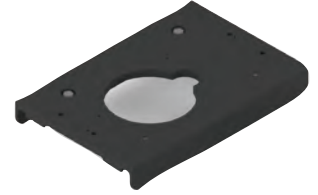
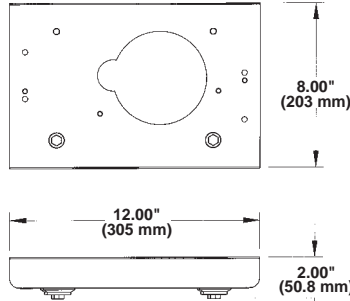


- Releasable (can be installed anywhere along the track)



**MPD-1065 Releasable Carriage**  
Net Weight: 7.75 lbs. (3.52 kg)  
Shipping Weight: 9 lbs. (4.09 kg)

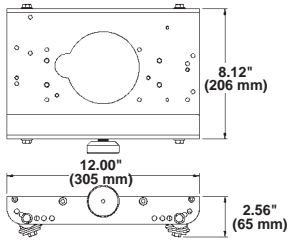
### For DC IV Drives



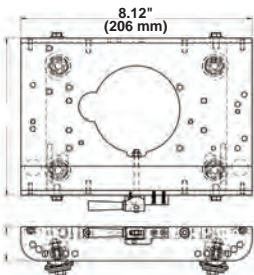
**BUG-5250 Carriage 12" (305 mm)**  
Net Weight: 5 lbs. (2.26 kg)  
Shipping Weight: 7 lbs. (3.17 kg)

## For Bent Rigid Rail

- Mounts a DC IV Drive Unit, Modular Drive Unit and Universal Bug-O-Matic
- Releasable (can be installed anywhere along the track)
- Runs on straight or BRR Ring Rail

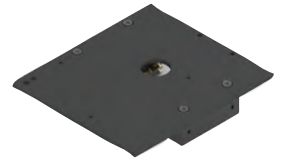
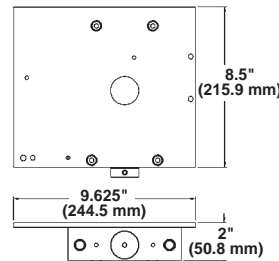


**BUG-5910 Split Carriage**  
Net Weight: 7 lbs. (3.17 kg)  
Shipping Weight: 8 lbs. (3.62 kg)

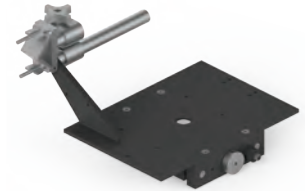
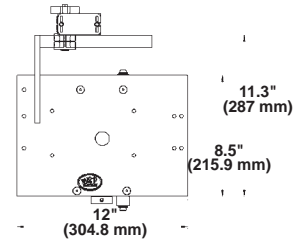


**BUG-5960 Carriage w/Cam Handle**  
Net Weight: 6 lbs. (2.72 kg)

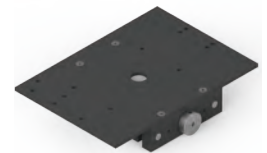
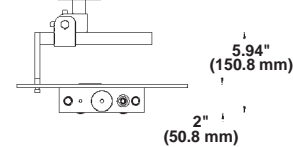
## For Hi-Flex Rail



**FMD-1150 Hi-Flex Carriage**  
for DC-III Drive



**FMD-1105 Drive Carriage**  
with cable anchor for  
MDS Master Drive



**FMD-1022 Carriage**  
for Universal Bug-O-Matic  
on High-Flex Rail

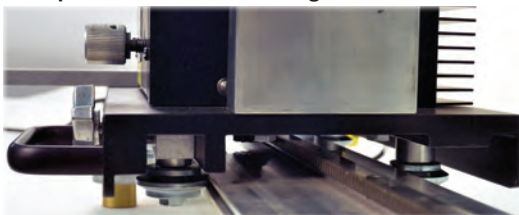
		Rails		
		ARR	AFR	BRR
<b>Carriages</b>	BUG-5250	X	X	N/A
	BUG-5910	*	X	X
	BUG-5960	*	X	X
	MPD-1065	*	X	X
	BUG-5260		X	N/A
	BUG-2790		X	N/A
	BUG-2785		X	N/A

\* These carriages are split style and can be mounted or removed at any location on the rail.

BUG-5250 accepts: DC IV Drives

BUG-5910 accepts: DC IV, MDS & Universal Bug-O-Matic Drives

MPD-1065 accepts: MDS & Universal Bug-O-Matic Drives



**MPD-1065 Releasable Carriage**  
Mounted on Bug-O Aluminum Rigid Rail

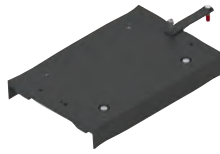
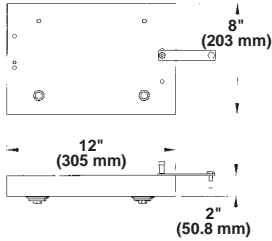


**FMD-1105 Drive Carriage**  
Mounted on Bug-O Hi-Flex Rail

# Optional & Specialty Carriages

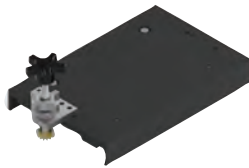
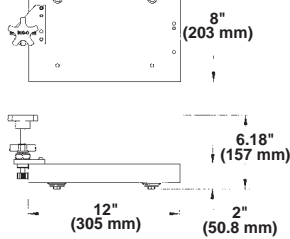
BUG-O carriages maximum load capacity is based on the number of carriage wheels. A carriage is capable of holding 25 lbs. per wheel.

## Carriages For ARR & AFR Rail



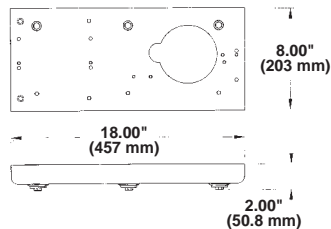
- Used to carry accessories, wire feeder, etc.

**BUG-2205 Carriage Trailer w/ Hitch**  
 Net Weight: 6 lbs. (2.72 kg)  
 Shipping Weight: 8 lbs. (3.62 kg)



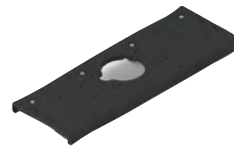
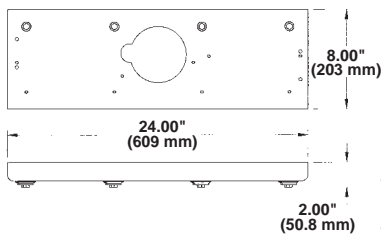
- Knob is used manually to move the carriage along the track
- Bottom knob locks carriage to a fixed rail position

**BUG-1140 Spotting Car**  
 Net Weight: 6 lbs. (2.72 kg)  
 Shipping Weight: 8 lbs. (3.62 kg)



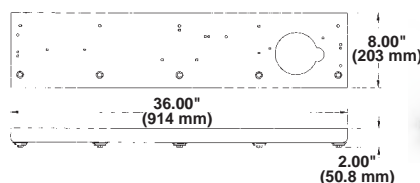
- Longer deck to mount accessories, wire feeder, etc.
- 6 carriage wheel assy

**BUG-5260\* Carriage 18" (457 mm)**  
 Net Weight: 6 lbs. (2.72 kg)  
 Shipping Weight: 8 lbs. (3.62 kg)



- Longer deck to mount accessories, wire feeder, etc.
- 8 carriage wheel assy

**BUG-2790\* Carriage 24" (609 mm)**  
 Net Weight: 11 lbs. (5 kg)  
 Shipping Weight: 15 lbs. (6.80 kg)

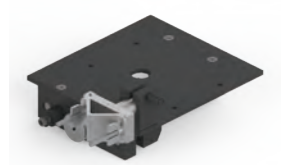
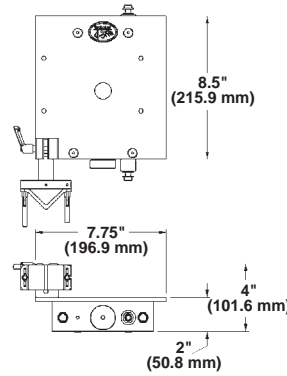


- Longer deck to mount accessories, wire feeder, etc.
- 10 carriage wheel assy.

**BUG-2785\* Carriage 36" (914 mm)**  
 Net Weight: 16.5 lbs. (7.50 kg)  
 Shipping Weight: 23.0 lbs. (10.44 kg)

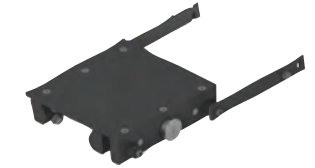
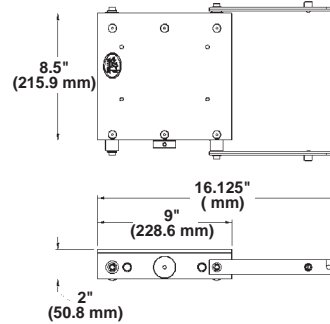
\*Not for Use on I.D. Applications

## Carriages for FMD Rail



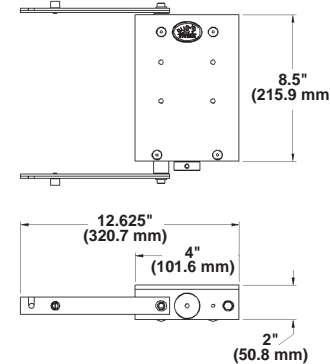
### FMD-1100 Drive Carriage

- Used when oscillation is not required



### FMD-1090 Long Trailer For use w/ FMD-1100

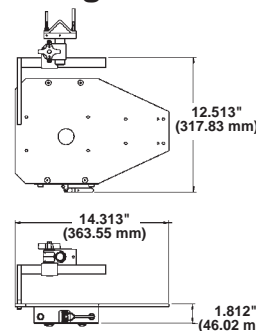
- Used to carry accessories, wire feeder, etc.



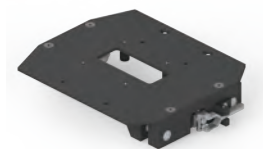
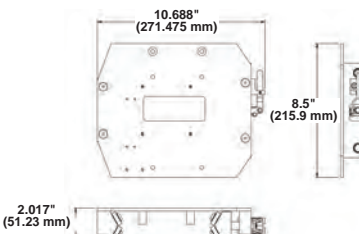
### FMD-1095 Short Trailer For use w/ FMD-1100

- Used to carry accessories, wire feeder, etc.

## Carriage for PSR Rail



### PSR-1050\* Carriage For use w/ MDS or Universal Bug-O-Matic



### 100-0776 PSR II Carriage For use w/ Versa-Bug

Net Weight: 4 lbs. (1.18 kg)

# Custom Rail & Magnets

## For Hi Cap MDS and Versa-Bug



**ARR-1080-CS**  
Aluminum Rigid Rail with Countersunk Holes  
8' (2.37 m) - Flex to minimum radius 15' (5 m)



**AFR-3000-CS**  
Flex Rail with Countersinks  
8' (2.37 m) - Flex to minimum radius 15' (5 m)



**BRR-1180-XX-X-CS**  
Bent Rigid Rail with Countersunk Holes

**ARR-1085-CS**  
Aluminum Rigid Rail with Countersunk Holes  
4' (1.18 m) - Flex to minimum radius 15' (5 m)

**ARM-2010-CS**  
R.E. On/Off Magnet



**AFR-2010-CS**  
R.E. On/Off Magnet



**ARM-2380-CS**  
Support Bar w/  
Screw Feet



**ARM-2480-CS**  
Support Bar w/  
Screw Magnet  
Feet



**ARM-2580-CS**  
Support Bar w/Screw  
and Magsquare Feet



Minimum of 10 to Order:



**AFR-3000-16**  
Semi-Flex Rail  
16' (4.877 m)



**ARR-1080-12**  
H.D. Alum. Rigid Rail with Splice Bars  
12' (3.6576 m)

## For KBUG-1200 & KBUG-3500



**100-0902**  
KBUG Guide Rail 6' (1.83 m) with on/off magnets



**100-0910-1200**  
Arm Guide Kit for KBUG-1200



**100-0910-3000**  
Arm Guide Kit for KBUG-3500